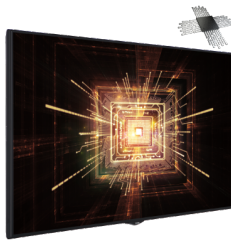




43" Professional Signage Displays



Key Features



SoC Content Management

With quad core SoC (System on Chip), this Series displays are the digital signage monitors for both offline designed content and cloud-based managed content. This helps your digital content to be displayed in the displays by content management systems.



Built-in Connectivity

This series features wired and wireless connectivity such as embedded WiFi and Bluetooth. Due to the wireless capabilities, the displays can easily gather its content without any external device. Moreover, WiFi allows screen sharing to be enjoyed with Miracast.



Open Platform Support

Our SoC supports API (Application Programming Interface) for solution providers/integrators to develop and integrate any HTML5-based to be installed and used on our displays.



Subtle Design

This series' displays exhibit ultra narrow bezel design eliminating the visual superfluties, directing audience focus on your advertised content. This series is found to be desirable for digital signage specific design: internal usb cover, OPS-slot, detachable power plug, carrying handles and IR extender.



Daisy Chain

The display can mirror the content (to another display) into its display port out coming from its display port in. This set up creates a daisy chain like structure allowing for monitors to be set up as Video Wall mode.



Display Control

Digital Signage Display SoC enables the users to control our displays using RS232 commands in a Local Area Network. Together with the full RS232 command list you can change/set volume, turn on/off the monitor, set a schedule for content display, set a webpage link to be displayed and give a wide range of commands in real-time.

Features



External Device Connections

You may want to connect your teleconference system, screen sharing system, set-top box or external PCs via HDMI port. For this purposes, our monitors help you to maximize user experience with HDMI CEC (Consumer Electronics Control) and HDMI Hotplug capabilities.



OPS Support

All our products in this series have compliance with OPS (Open Pluggable Standard). OPS will empower your screens with enhanced processing power and ability to choose Windows or Android as your operating system to fit your specific application.



Touch Support

Our touch screens are compatible with this series. Infrared (IR) Touch Screens is designed to equip your current product with user-interactivity allowing the display to be smart display and many interactive applications to be enjoyed by the end users. The design also permits any person to overlay the touch screen on the display easily.



Scheduler

Digital Signage Monitor Software allows many important features such as Scheduler. Scheduler sets your display turn on/off time easily and lets you not to worry about the status of your displays in any time.



Signal Failover

Our SoC Software has a protection for "No Signal" scenario. If the USB is unplugged after your content is set to be displayed with USB, the display will either show your customized banner or search for any other signal from other sources (HDMI, Display Port, etc.). This failover protection is constructed for higher user experience.



Longer Life Span

Our Professional Panel Display series come with a longer life span coming with a MTBF (mean time between failures) of 100,000 hours, guaranteeing the highest panel quality making them more suitable for 24/7 type utilisation.



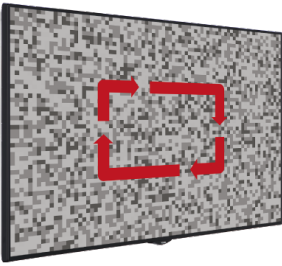
Image Orientation

SoC Software lets you choose the orientation of the display menu easily. This feature is important for portrait usage of our professional panel monitors.



Operation Time Support

Professional Panels used with this series are quality confirmed to operate 24 hours a day without any issues. Our customers will experience the highest quality of our screens unlimited to any operation. Upon this, the series come with 400 Nits brightness levels suitable for medial indoor environment.



Pixel Shifting

Pixel Shifting is designed to be activated inside the SoC in order to prevent for potential risk of image sticking, caused by constant content. With this feature turned on, pixels on the screen will move in an interval while causing no interference of visual experience.



Usb Security

This series lets your USB and your content to be secured within the back cover of the display. The cover is protected with a screw not allowing any outside intervention.



Usb Auto-Play

You will be able to show photo and video content automatically with USB Auto-play feature. SoC software gives you a choice to turn on USB auto-play function making it easy for end-users to show any media on the screen and not worry about anything else.



Source Switching

It is made available to set any Source on startup of the display. It can also be switched on any other signal source using scheduler and failover scenarios. This lets the users to freely control the process of their requirements allowing best user experience.



Auto Launch

We have made it easy to give any HTML5-based application link to the display within the SoC software. Upon this, the display will start with the given link. The application can either be an offline or an online application, allowing the customers to execute their own application.

PANEL

Screen Size	43"
Panel Technology	IPS
Backlight Type	Direct-Type LED
Brightness (typical)	400 cd/m ²
Native Resolution	1920 x 1080 (16:9) - FHD
Contrast Ratio (typical)	1000:1
Dynamic Contrast Ratio	40000:1
Panel Life Time (Min.)	50000 Hrs
Response Time (typical)	6 ms
Active Area (H x V)	941 x 530 mm
Pixel Pitch (H x V)	0.4902 x 0.4902 mm
PPI (pixel per inch)	52
Viewing Angle	178° Vert., 178° Hor. (89U/89D/89L/89R) @ CR>10
Color Value	16.7 M (8-bit)
Screen Treatment	3H
Haze Level	1%
Refresh Rate	60 Hz
Front Type	Ultra Narrow Bezel
Orientation	Horizontal / Vertical
Operation Hours	24/7
Area of Usage	Indoor

MAINBOARD

Mainboard Model	17MB120DSR4-DSOPT6
-----------------	--------------------

MONITOR CONNECTIVITY

RGB Input	Dsub 15 PIN VGA CON., YPbPr
RGB Output	N/A
Video Input	2xHDMI2.0, 1xUSB3.0, 1xUSB2.0, 1xUSB2.0(USB Cover)
Video Output	HDMI2.0
Audio Input	LINE IN JACK
Audio Output	LINE OUT JACK
External Control	RS232(DSUB 9P), RJ12, Ethernet
External Sensor	N/A

MECHANICAL

Product Dimensions (WxDxH)	966 x 106 x 557 mm
Package Dimensions (WxDxH)	1050 x 178 x 718 mm
Product Weight	10.3 kg
Package Weight	13.65 kg
Vesa Mounting	200 x 200 mm - M6
Bezel Width	B:13 T:9 L/R:10 mm

ENVIRONMENTAL CONDITIONS

Operating Temperature	0-40°C
Operating Humidity	10-90%

POWER

Power Supply	110 VAC - 240 VAC - 50/60 Hz
--------------	------------------------------

POWER CONSUMPTION

Typical	61 W
Deep Standby	≤0.5 W

FEATURES

Main Features	Open Content Management Support, Scheduler, USB-Autoplay, Auto-Launch, HDMI-CEC, HDMI-Wakeup, Auto-switch on Failover, Panel Lock
Mechanical Features	Joystick, IR Extender Support, Rocker Switch, Detachable power cable, Carrying slots, Detachable logo positioning, Internal usb cover, Cable Holder
Optional Features	OPS Compliance, IR Overlay Touch Compliance
Speaker	2 x 8 W

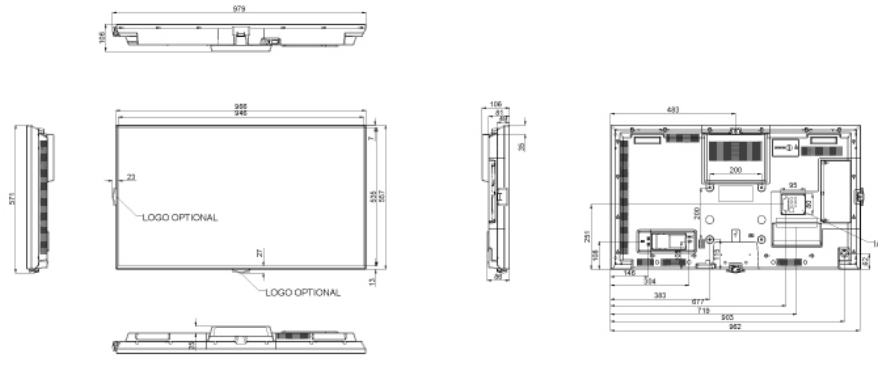
ACCESSORY

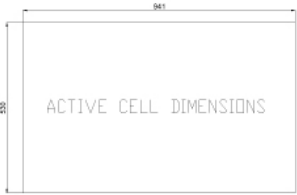
Standard	QSG, IB, Power Cord, Remote Control, RC Battery, Mounting Kit, Extension Brackets, IR Extender Cable
----------	--

CERTIFICATION

Safety	YES
EMC	YES
CE	YES

REVIZYON	YENI ÇİZİM	REVİZYON NO
1	6/4/2019	FORMAT / DİJİTAL ÇİZİM
2		
3		



MODEL 43495 DS	DIMENSIONS (mm)			
	WIDTH mm	DEPTH mm	HEIGHT mm	
PRODUCT	966	106	557	
PACKAGING	1050	178	718	

TOLERANCES	€	NAME	REVİ
0.10/0.020	±0.0	43495 DS	R01
0.10/0.020	±0.20	CREATED : HİSİYAN ÇİFTÇİ	DATE: 04/02/19
0.10/0.020	±0.50	LAST REV. : NHAH ÖZTEN	SHEET: 1 / 1
0.10/0.020	±0.75	CHECK : Hakan KÖRÜKDOĞAN	SCALE: 1:1
0.10/0.020	±1.00	APPROV. : Derviş ÇETİNYÜREK	UNIT
0.10/0.020	±1.50	 VESTEL VESTEL ELECTRONICS / ULJITAL PRODUCTS OPERATIONS İZMİR/TURKEY TEL: +90236 203660 FAX: +90236 203632	PPN
ANGLES	±0.5°		